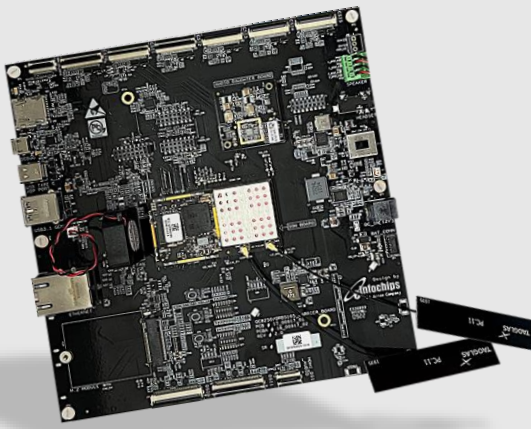


Aikri QCS8250 Development Kit

Based on the Qualcomm® QCS8250 SoC



1 AI and ML Applications

2 4K Camera

3 Medical Imaging / Medical

4 Machine Vision

5 Digital Signage / HMI

6 Collaboration System

7 Robotics

8 Telematics

About eInfochips

eInfochips, an Arrow Electronics company, is a leading provider of digital transformation and product engineering services. eInfochips accelerates time to market for its customers with its expertise in IoT, AI/ML, security, sensors, silicon, wireless, cloud, and power. eInfochips being a Qualcomm Snapdragon Technology Partner (STP) offers turnkey product designs on multiple Snapdragon and other SoCs of Qualcomm® and have enabled global customers with Qualcomm based product designs.

eInfochips Aikri QCS8250 Dev Kit

The Aikri 8250 Development Kit is powered by the Qualcomm® QCS8250 based Aikri System on Module(SoM). This SoM integrates Kryo™ 64-bit Octa-core 585 CPU, Adreno™ 650 GPU, Hexagon™ 698 HVX DSP, Spectra™ 480 camera ISP and Qualcomm's next-gen AI-Engine to maximize performance for compute intensive camera and AI applications on the edge.

The SoM coupled with 2x2 802.11ax WiFi-6, BT 5.0, multiple CSI cameras, full featured USB-C and high-fidelity audio provide excellent processing capabilities of multiple video streams up to 4K240 decode/4K120 encode .

The Aikri 8250 Development Kit enables OEMs and engineers to evaluate performance of QCS8250 for their product designs and reduce time to market.

eInfochips Advantages

- ✓ 28 Years of experience in system design
- ✓ 10 Design centers worldwide
- ✓ 500+ Product designs
- ✓ 35+ Product designs on Qualcomm
- ✓ 15M+ Product deployments across globe
- ✓ ISO 9001, ISO13485, AS9100/EN9100, ISO26262 and CMMi L3 compliant processes



einfochips.com

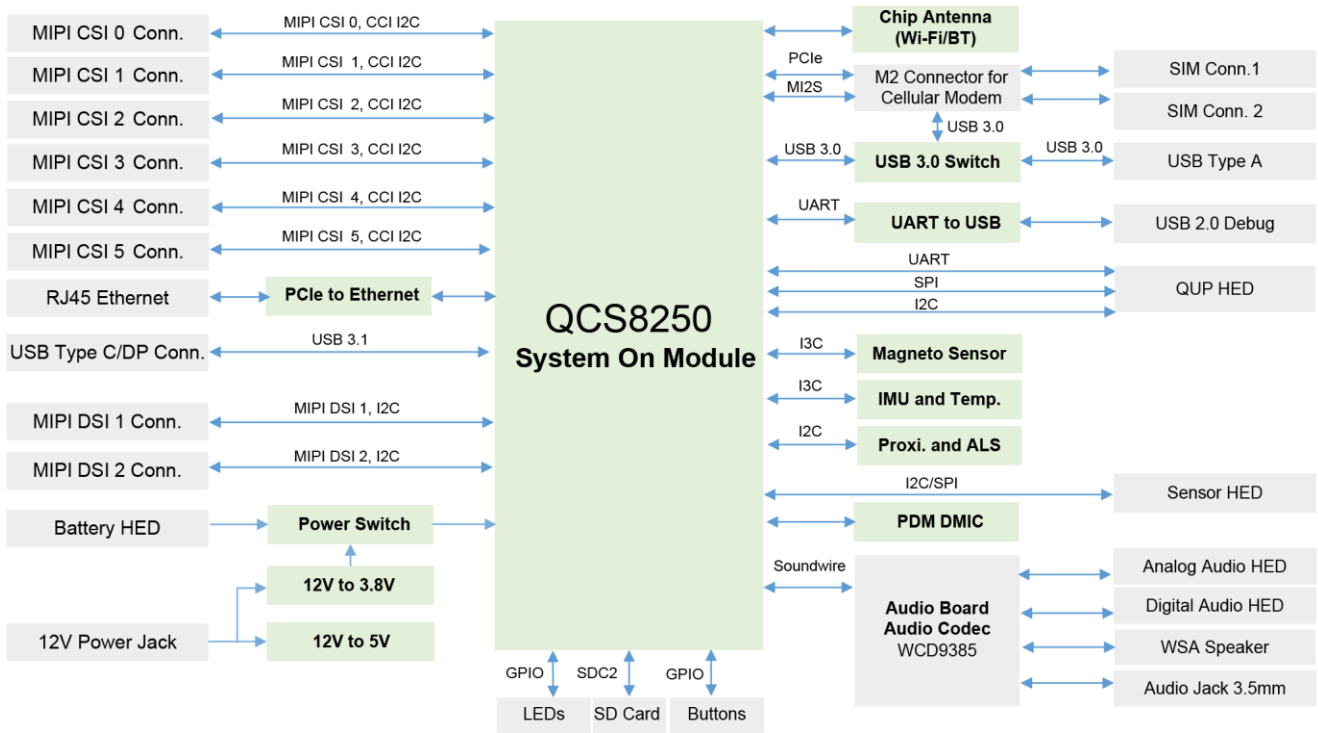


sales.support@einfochips.com

Qualcomm



ENRICHING LIVES
THROUGH
ENGINEERING
EXCELLENCE



Aikri QCS8250 SoM	
Processors	8x Kryo™ 585@ up to 2.8 GHz, Hexagon 698 DSP with HVX, Tensor Accelerator and Scalar Accelerator, Adreno™ 650 GPU and 920 DPU, and Spectra™ 480 ISP
Memory	8GB LPDDR5, 64GB UFS 3.1
Wireless	Qualcomm® Wi-Fi via QCA6391 WLAN 2 x 2 802.11ax DBS (WiFi 6); Bluetooth5.1
AI Performance (INT 8)	15 TOPS
Aikri QCS8250 Dev Kit	
Display Interfaces	<ul style="list-style-type: none"> 2x MIPI-DSI 4-lane D-PHY 1.2 at 1.5 Gbps per lane USB Type-C port with DisplayPort v1.4 at 8.1 Gbps/lane Miracast upto 4K60
Camera Interface	<ul style="list-style-type: none"> 2x 4-lane CSIs (CSI0, CSI1) on 30-pin connectors for HDMI-Input 4x 4-lane CSIs (CS2-CSI5) on 30-pin connectors for camera sensors
Sensor Interface	<ul style="list-style-type: none"> IMU, Temperature and magnetometer (I3C based) Proximity + Ambient Light sensor (I2C based)
Audio Interfaces	<ul style="list-style-type: none"> 6x AMICs and 8x DMICs interfaces on CODEC digital header (WCD9385) 6c DMICs through QCS8250 PDM interface 1x Headset Mic 2x Stereo speaker outputs (WSA8815) 1x Headset output (3.5mm headset jack) 1x Earpiece output, 1 Aux output and 4 MIC Bias on CODEC Analog header (WCD9385)
I/O Interfaces	<ul style="list-style-type: none"> 1x USB-C 3.1 ; 1x USB Type-A 3.1 ports 1x PCIe Gen3 2-lane over M.2 key B PCIe connector 2x SIM card slots GPIOs (low speed expansion connector) High and low speed expansion headers 1x 10/100/1000 Mbps RJ45 Ethernet 1x MicroUSB for Console 3x User LEDs (RGB) 1x Battery connector 1x RTC coin cell
Operating Environment	<ul style="list-style-type: none"> Input voltage: 12V Operating temperature: -20 to +60° C
Mechanical Specification	<ul style="list-style-type: none"> SoM: 59.7mm x 32.2mm Carrier board : 170mm x 170mm
Software and OS	<ul style="list-style-type: none"> Android
Dev Kit Contents	<ul style="list-style-type: none"> 1x Aikri-82X-50AS-8 SoM 1x Carrier board 12V power adapter; USB cable
Orderable Parts	<ul style="list-style-type: none"> Development kit: Aikri-82X-50AD-8 Camera interface card: EIC-DB-CAM-OVS (camera sensors not included) DSI to HDMI conversion card: EIC-DB-DSIHDMI (to enable HDMI-Input)