

# Aikri QCS405 System On Module (SoM)

Based on the Qualcomm® QCS405 SoC



- 1 Smart Speakers
- 2 Smart Soundbars
- 3 Home Cinema
- 4 Smart Speakers with Display
- 5 Smart Assistants
- 6 Home Hubs

## About eInfochips

eInfochips, an Arrow Electronics company, is a leading provider of digital transformation and product engineering services. eInfochips accelerates time to market for its customers with its expertise in IoT, AI/ML, security, sensors, silicon, wireless, cloud, and power. eInfochips being a Qualcomm Snapdragon Technology Partner (STP) offers turnkey product designs on multiple Snapdragon and other SoCs of Qualcomm® and have enabled global customers with Qualcomm based product designs.

## eInfochips Aikri QCS405 SoM

The Aikri System on Module (SoM) is powered by Qualcomm® QCS405 processor. The QCS405 is designed specifically for smart audio applications and supports features such as Multi-mic Noise/Echo Cancellation that isolates noisy environments from voice, simultaneous multi-keyword detection to aid voice services like Amazon Alexa and Google assistant. The Aikri 405 SoM integrates a 64-bit Quad-core Arm Cortex-A53-1.4 GHz CPU, dual Hexagon™ QDSP6 v66, 2x2 802.11ac DBS Wi-Fi and BT5.0 connectivity and supports a mic array, multi-speaker connection via Wi-Fi/BT, PCIe, HDMI/DSI displays and multi-room audio streaming. This production-ready SoM has a Yocto Linux BSP pre-loaded and helps manufacturers easily create voice-supported smart audio applications such as Smart speakers, Soundbars, Home cinema, Smart assistants, Home Hubs etc.

## eInfochips Advantages

- ✓ 28 Years of experience in system design
- ✓ 10 Design centers worldwide
- ✓ 500+ Product designs
- ✓ 35+ Product designs on Qualcomm
- ✓ 15M+ Product deployments across globe
- ✓ ISO 9001, ISO13485, AS9100/EN9100, ISO26262 and CMMi L3 compliant processes



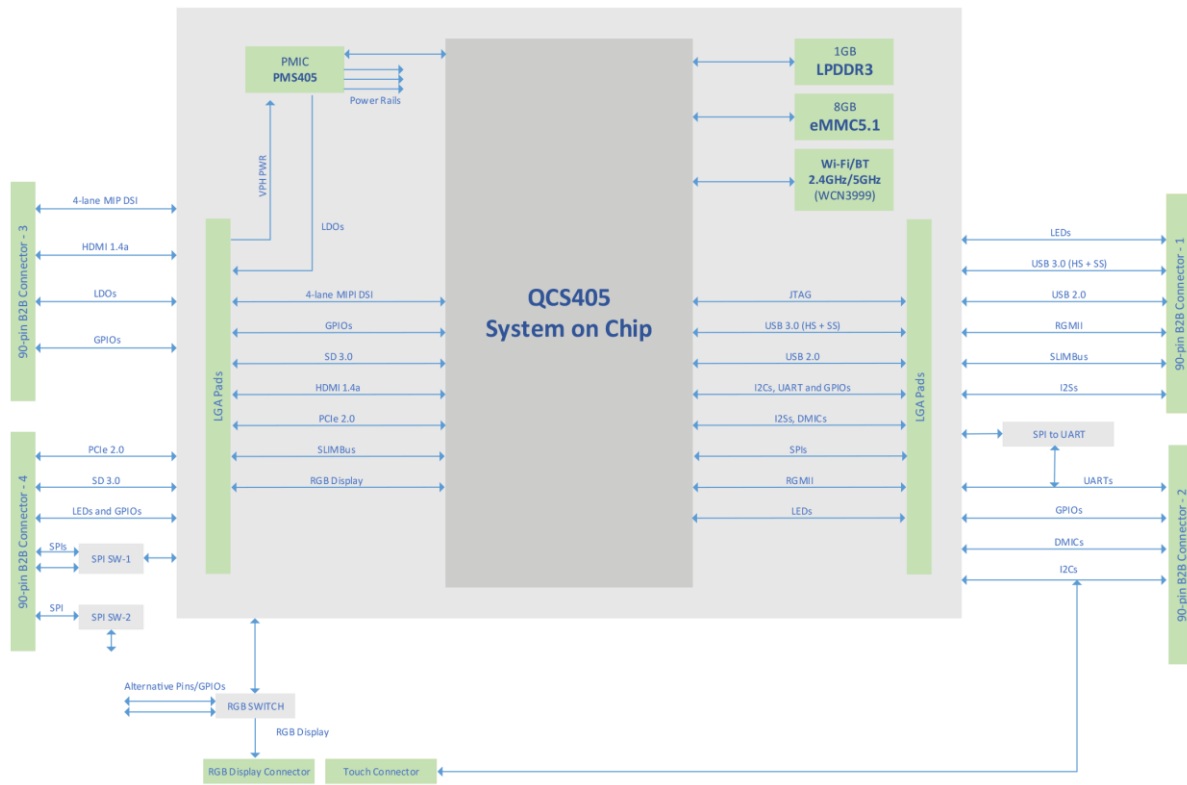
[einfochips.com](http://einfochips.com)



[sales.support@einfochips.com](mailto:sales.support@einfochips.com)



ENRICHING LIVES  
ENGINEERING  
EXCELLENCE



Aikri QCS405 SoM	
Processors	Qualcomm® QCS405 <ul style="list-style-type: none"> <li>64-bit customized Arm Cortex-A53 quad-core @ up to 1.4 GHz</li> <li>Adreno 306 at 600 MHz</li> <li>Dual Hexagon® QDSP6 v66 DSPs (Audio and Compute with AI engine)</li> </ul>
Memory	1GB LPDDR3, 8GB eMMC
Connectivity	<ul style="list-style-type: none"> <li>Qualcomm® Wi-Fi via WCN3999 WLAN 2x2 802.11ac; Bluetooth5.0 (ufl connectors on board the SoM)</li> <li>Ethernet RGMII</li> </ul>
Display Interfaces	<ul style="list-style-type: none"> <li>1x HDMI Port - HDMIv1.4a up to 1080p 30fps</li> <li>1x MIPI-DSI 4 lanes</li> </ul>
Audio	<ul style="list-style-type: none"> <li>6x Digital MICs through PDM interfaces</li> <li>6x Channel TDM MICs</li> <li>6x analog MICs; 3 DMICs from WCD9335 audio codec.</li> <li>1x headset o/p; 1x earpiece o/p; 2x lineout; 2x stereo speakers from WCD9335</li> <li>Encode: PCM and AAC</li> <li>Decode: PCM, AAC, MP3, AIFF, APE, DSF, FLAC and VORBIS</li> </ul>
I/O Interfaces	<ul style="list-style-type: none"> <li>1x USB-C 3.0</li> <li>GPIOs, SPIs, I2Cs, I3C, UARTs; GPIO connections to sensor core DSP</li> </ul>
Operating Environment	<ul style="list-style-type: none"> <li>Input voltage: 3.6V</li> <li>Operating temperature: -30 to +85° C</li> </ul>
Mechanical Specification	<ul style="list-style-type: none"> <li>SoM: 55mm x 48mm LGA</li> <li>Interposer Board: 65.42 mm X 63.12 mm with 4x 90-pin board to board connectors</li> </ul>
Software and OS	<ul style="list-style-type: none"> <li>Linux, Yocto Thud, Kernel 4.14</li> </ul>
Orderable Parts	<ul style="list-style-type: none"> <li>System On Module (SOM): Aikri-40X-5LS-1</li> <li>Development kit: Aikri-40X-5LD-1</li> </ul>